

# When you need a High Quality Opening

## Alfa Laval Access Tank Cover – Circular Cover Type LKDC - LP

5.8

**Application**

The circular low pressure LKDC – LP stainless steel manhole cover is used on top of tanks or vessels. It is designed to withstand vacuum created during for example cleaning and for productions with low pressure conditions up to 1 bar. Suitable for wine, brewery, juice, milk, food, personal care and pharmaceutical applications.

**Working principle**

The LKDC-LP cover has some unique features that make handling of the cover easy and safe. Springs on the handles provide an easy opening and closing and the safety pin can hold the lid in an open position.



**TECHNICAL DATA**

Working pressure: . . . . . -1 to 1 bar  
 Temperature range: . . . . . -10 - 150 °C  
 Please note: the low pressure cover can stand up to 1 bar and is not PED approved.

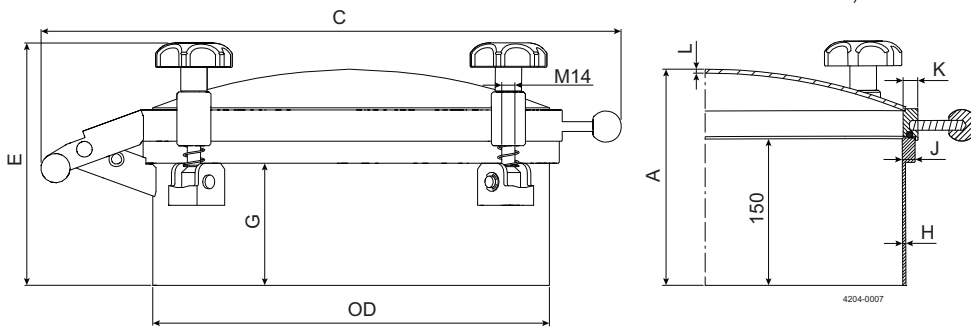
**PHYSICAL DATA**

Materials  
 Lid and frame: . . . . . 1.4301 (304) or 1.4404 (316L)  
 Plastic parts: . . . . . Nylon Seals  
 (standard): . . . . . EPDM Seals  
 (optional): . . . . . NBR or FPM or Q (silicone)  
 Surface finish: . . . . . Acid Pickled  
 Product wetted surfaces: . . . . . Ra≤0.6 µm  
 Other surfaces: . . . . . Ra≤1.2 µm

Max. temperature gaskets:  
 NBR . . . . . 90°C  
 Q . . . . . 100°C  
 EPDM (not for oil and fat) . . . . . 140°C  
 FPM (fluorinated rubber) . . . . . 140°C

**Certificates**

3.1 (cover and frame are supplied with material certificate 3.1 according to EN10204)



5.8

Size	300	400	450	498	600
OD	306	406	458	506	608
C	483	594	661	701	807
A	211	221	231	232	247
E	236	236	236	236	236
G	82	82	67	67	67
K	15	15	18	18	18
J	13	13	14	14	14
Frame height	150	150	150	150	150
Frame thickness H	3	3	4	4	4
Weight (kg)	15.6	21.3	28.1	32.8	43.6
No.off handles	3	4	4	6	6

Item No.	PPL EUR	Size	Dimensions						Frame thickness
			OD	C	H	A	E	G	
<b>1.4301 (304) EPDM</b>									
9614445801	1732	300	306	483	150	211	236	82	3
9614445802	2318	400	406	594	150	221	236	82	3
9614445803	2686	450	458	661	150	231	236	67	4
9614445804	3015	500	506	701	150	232	236	67	4
9614445805	3698	600	608	807	150	247	236	67	4
<b>1.4404 (316L) EPDM</b>									
9614445806	1798	300	306	483	150	211	236	82	3
9614445807	2408	400	406	594	150	221	236	82	3
9614445808	2806	450	458	661	150	231	236	67	4
9614445809	3154	500	506	701	150	232	236	67	4
9614445810	3883	600	608	807	150	247	236	67	4
<b>Gasket option</b>	<b>Price add-on PPL EUR</b>	<b>Gasket options for LKDC-LP-300</b>							
NBR	0								
FPM	198								
Q (Silicone)	141								
		<b>Gasket options for LKDC-LP-400</b>							
NBR	0								
FPM	263								
Q (Silicone)	187								
		<b>Gasket options for LKDC-LP-450</b>							
NBR	0								
FPM	823								
Q (Silicone)	589								
		<b>Gasket options for LKDC-LP-500</b>							
NBR	0								
FPM	916								
Q (Silicone)	653								
		<b>Gasket options for LKDC-LP-600</b>							
NBR	0								
FPM	1098								
Q (Silicone)	784								

