

# Minimizing the Risk of Tank Damage

## Alfa Laval SB Pressure Relief Valve

2.8

**Concept**

The Pressure Relief Valve is used for minimizing the risk of damage to tanks due to liquid overfilling.

**Working Principle**

The Pressure Relief Valve is delivered with counter weight set and locked to suit customer requirements regarding opening pressure. When pressure in the tank exceeds the preset opening value, the valve relieves the excess pressure.

**Standard Design**

The Pressure Relief Valve is available in two versions:

- Integrated in a SCANDI BREW® tank top system
- Mounted on its own welding flange

Compliance to EN 4126-1

Compliance to EN 764-7

Compliance Pressure Equipment Directive 2014/68/EU of the European Community, Fluida Group II

The advantages of an integrated Pressure Relief Valve are lower initial costs, superior hygiene and smaller area required for the valve. The size and setting of the Pressure Relief Valve is based on the tank design data and process requirements.



**TECHNICAL DATA**

Nominal size	Set Pressure Range
75mm . . . . .	0.2 - 3.5 bar
100mm . . . . .	0.2 - 2.5 bar
150mm . . . . .	0.4 - 1.5 bar

**PHYSICAL DATA**

**Materials**

- Product wetted steel parts: . . . EN 1.4404 (AISI 316L) with 3.1 cert.
- Product wetted steel surfaces: .Surface roughness Ra<0.8 µm
- Product wetted seals: . . . . .EPDM

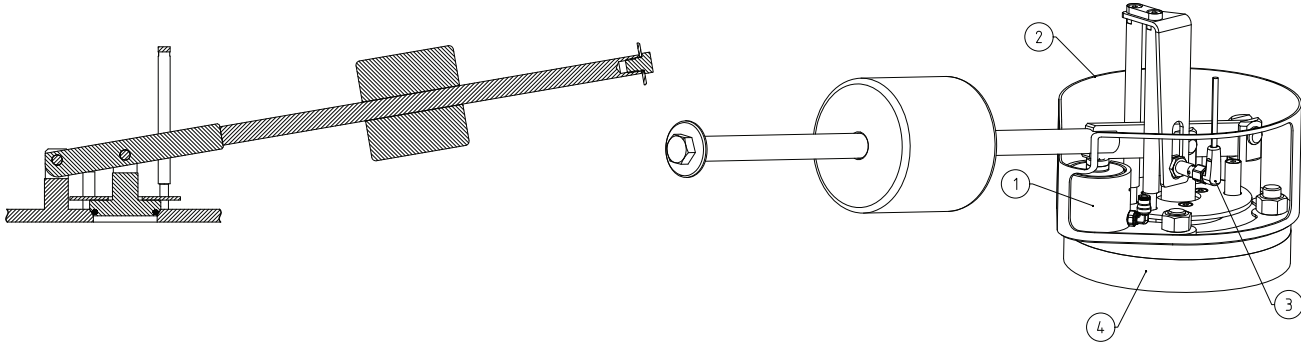
**Cleaning In Place (CIP)**

The Pressure Relief Valve is cleaned in closed position by the tank cleaning head, but this will not include the valve seating. To include the valve seating in the cleaning cycle, there is the option to equip the valve with a pneum. force opener and a splash guard.

**Integrated Valve**

**Options**

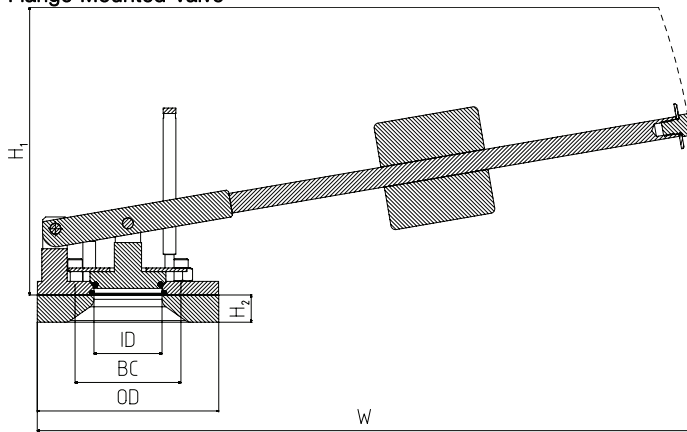
2.8



**Options:**

- Pos. 1: Force opener: force opening during cleaning cycle
- Pos. 2: Splash guard: containing CIP liquid during valve seat cleaning
- Pos. 3: Proximity sensor: for operation detection
- Pos. 4: Welding flange: for installation

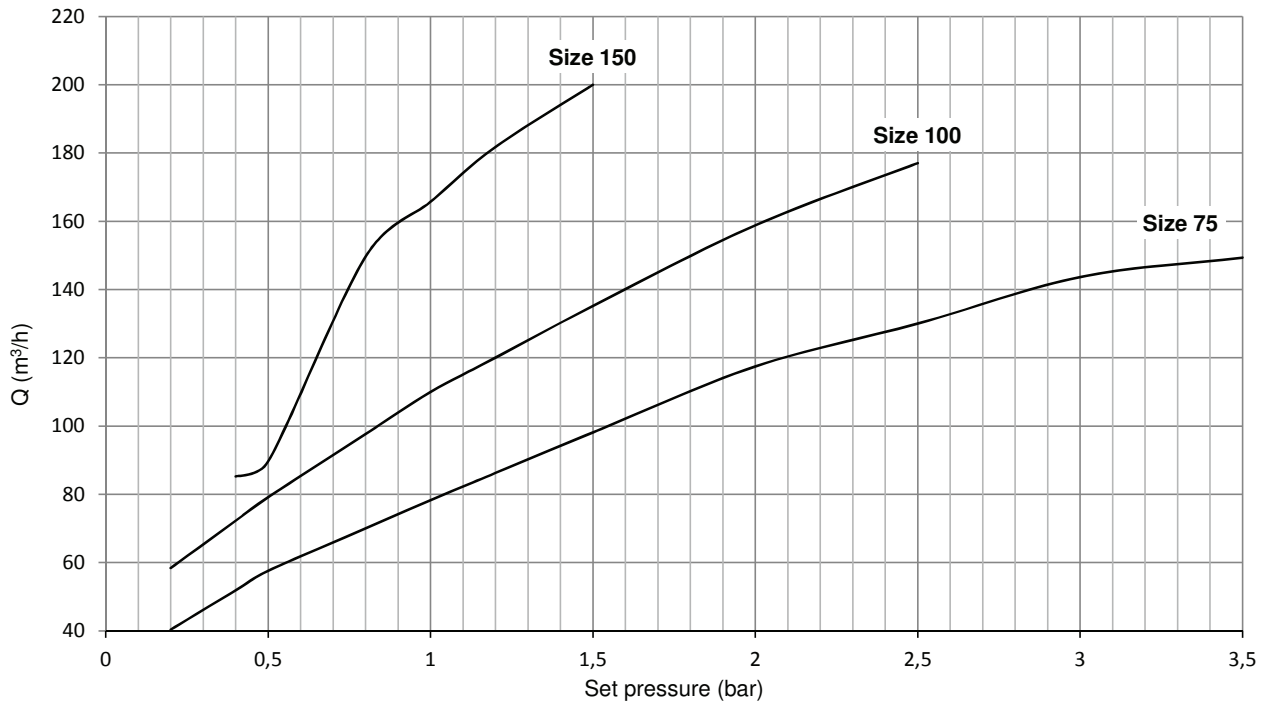
**Flange Mounted Valve**



- ID = Active diameter
- BC = Bolt circle
- OD = Outside diameter

**Interface requirements (mm)**

Nominal Size	ID	BC	OD	Bolts	H1	H2	W
75	75	165	200	4xM16	375	30	740
100	100	165	200	4xM16	375	30	740
150	150	230	270	8xM16	430	30	1050



**Discharge Capacity**

In accordance with EN 4126-1

Capacity measured at:

$\Delta P=10\%$  Set pressure  $\geq 1$  bar

$\Delta P=0,1$  Set pressure  $< 1$  bar

Medium: water (20°C)

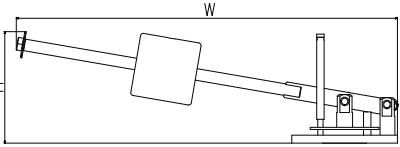
# SB Pressure Relief Valve

Safety valves

Safety Valve  
Product code: 5916

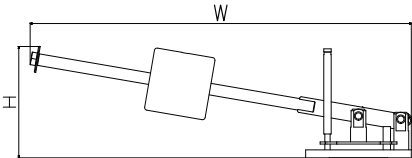
Material: 1.4404  
Seals: EPDM  
Inside surface finish: Ra ≤ 0.8 µm

2.8

Item No.	PPL EUR	Size	Opening Pressure bar	Flow m3/h	Dimensions (mm)		SCANDI BREW
					H	W	
9615062801	1140	Ø75	0.2	40.4	375	740	
9615062802	1140	Ø75	0.3	45.8	375	740	
9615062803	1140	Ø75	0.4	51.6	375	740	
9615062804	1326	Ø75	0.5	57.6	375	740	
9615062805	1326	Ø75	0.6	61.7	375	740	
9615062806	1326	Ø75	0.7	65.8	375	740	
9615062807	1326	Ø75	0.8	70	375	740	
9615062808	1326	Ø75	0.9	74.1	375	740	
9615062809	1326	Ø75	1.0	78.3	375	740	
9615062810	1326	Ø75	1.1	82.2	375	740	
9615062811	1326	Ø75	1.2	86.2	375	740	
9615062812	1326	Ø75	1.3	90.2	375	740	
9615062813	1326	Ø75	1.4	94.1	375	740	
9615062814	1326	Ø75	1.5	98.1	375	740	
9615062815	1326	Ø75	1.6	102	375	740	
9615062816	1326	Ø75	1.7	105.8	375	740	
9615062817	1326	Ø75	1.8	109.7	375	740	
9615062818	1326	Ø75	1.9	113.6	375	740	
9615062819	1326	Ø75	2.0	117.4	375	740	
9615062820	1565	Ø75	2.1	119.9	375	740	
9615062821	1565	Ø75	2.2	122.4	375	740	
9615062822	1565	Ø75	2.3	125	375	740	
9615062823	1565	Ø75	2.4	127.5	375	740	
9615062824	1565	Ø75	2.5	130	375	740	
9615062825	1565	Ø75	2.6	132.7	375	740	
9615062826	1565	Ø75	2.7	135.4	375	740	
9615062827	1565	Ø75	2.8	138.2	375	740	
9615062828	1565	Ø75	2.9	140.9	375	740	
9615062829	1565	Ø75	3.0	143.6	375	740	
9615062830	1565	Ø75	3.1	144.8	375	740	
9615062831	1565	Ø75	3.2	145.9	375	740	
9615062832	1565	Ø75	3.3	147	375	740	
9615062833	1565	Ø75	3.4	148.2	375	740	
9615062834	1565	Ø75	3.5	149.3	375	740	

Safety Valve  
Product code: 5916

Material: 1.4404 (316L)  
Seals: EPDM  
Inside surface finish: Ra ≤ 0.8 µm

Item No.	PPL EUR	Size	Opening Pressure	Flow m3/h	Dimensions (mm)		SCANDI BREW
					H	W	
9615064201	1420	Ø100	0.2	58.4	375	740	
9615064202	1420	Ø100	0.3	65.3	375	740	
9615064203	1420	Ø100	0.4	72.2	375	740	
9615064204	1420	Ø100	0.5	79.1	375	740	
9615064205	1420	Ø100	0.6	85.3	375	740	
9615064206	1420	Ø100	0.7	91.4	375	740	
9615064207	1420	Ø100	0.8	97.6	375	740	
9615064208	1420	Ø100	0.9	103.8	375	740	
9615064209	1580	Ø100	1.0	109.9	375	740	
9615064210	1580	Ø100	1.1	115.0	375	740	
9615064211	1580	Ø100	1.2	120.0	375	740	
9615064212	1580	Ø100	1.3	125.1	375	740	
9615064213	1580	Ø100	1.4	130.1	375	740	
9615064214	1580	Ø100	1.5	135.2	375	740	
9615064215	1580	Ø100	1.6	139.8	375	740	
9615064216	1580	Ø100	1.7	144.4	375	740	
9615064217	1580	Ø100	1.8	149.0	375	740	
9615064218	1580	Ø100	1.9	153.7	375	740	
9615064219	1618	Ø100	2.0	158.3	375	740	
9615064220	1618	Ø100	2.1	162.4	375	740	
9615064221	1618	Ø100	2.2	166.1	375	740	
9615064222	1618	Ø100	2.3	169.7	375	740	
9615064223	1618	Ø100	2.4	173.4	375	740	
9615064224	1777	Ø100	2.5	177.8	375	740	
9615064601	1777	Ø150	0.4	85.2	430	1050	
9615064602	1777	Ø150	0.5	133.3	430	1050	
9615064603	1777	Ø150	0.6	138.7	430	1050	
9615064604	1777	Ø150	0.7	144.2	430	1050	
9615064605	1777	Ø150	0.8	149.6	430	1050	
9615064606	1777	Ø150	0.9	157.6	430	1050	
9615064607	1777	Ø150	1.0	165.7	430	1050	
9615064608	1989	Ø150	1.1	173.7	430	1050	
9615064609	1989	Ø150	1.2	181.8	430	1050	
9615064610	1989	Ø150	1.3	187.8	430	1050	
9615064611	1989	Ø150	1.4	193.9	430	1050	
9615064612	1989	Ø150	1.5	200	430	1050	

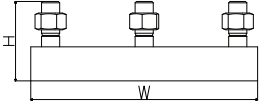
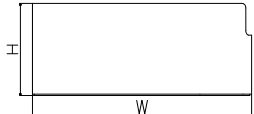
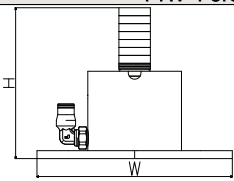
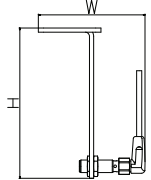
# SB Pressure Relief Valve Accessories

Safety valves

Safety Valve  
Product code: 5919

Material: 1.4404  
Inside surface finish: Ra ≤ 0.8 μm  
Outside surface finish: Ra ≤ 1.6 μm

2.8

Item No.	PPL EUR	Size DN	Dimension (mm)		SCANDI BREW
			H	W	
<b>PRV Counter Flange</b>					
9615052001	464	Ø75	70	200	
9615070601	464	Ø100	70	200	
9615066801	643	Ø150	70	270	
<b>PRV Splash Guard</b>					
9615054401	217	Ø75-Ø100	102	242	
9615050201	217	Ø150	102	302	
<b>PRV Force Opener</b>					
9615066201	363	Ø150	95	124	
9615065701	363	Ø75-Ø100	95	152	
<b>PRV Proximity Switch</b>					
9615063501	425	Ø150	145	100	
9615063301	425	Ø75-Ø100	155	100	